

Kwikset SMART CODE[®]

TOUCHPAD ELECTRONIC LEVER



SMALL OFFICE/HOME OFFICE



INTERIOR
GARAGE
DOOR/
SIDE DOOR



UTILITY/
STORAGE
ROOM

Signature Series

INCREASED SECURITY & KEYLESS CONVENIENCE

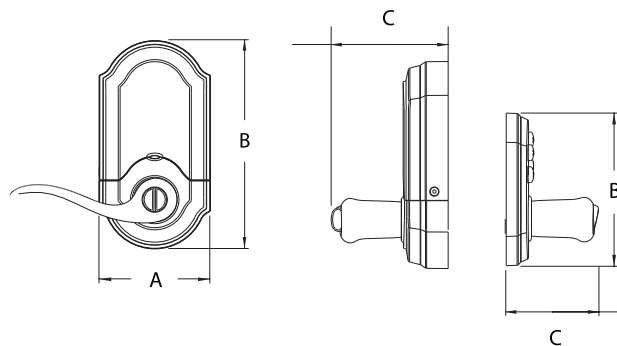
- ONE TOUCH LOCKING CONVENIENCE
- FOUR CUSTOMIZABLE ACCESS CODES FOR INCREASED SECURITY
- BACK-LIT KEYPAD FOR INCREASED VISIBILITY
- CUSTOMIZABLE AUTOMATIC DOOR LOCKING AFTER 30 SECONDS FOR INCREASED PEACE OF MIND
- INSTALLS IN MINUTES WITH JUST A SCREWDRIVER - NO HARD WIRING REQUIRED
- FITS STANDARD DOORS (1 3/8" - 1 3/4") WITH NO NEW SCREW HOLES REQUIRED

SMARTCODE™ TOUCHPAD ELECTRONIC LEVER

Specifications:

Function	Keyed Entry Lever
Door Prep	2 1/8" diameter face hole & 1" diameter latch hole
Backset	Adjustable 2 3/8" or 2 3/4"
Door Thickness	1 3/8" - 1 3/4" automatic adjustment
Cylinder	SmartKey® Re-key Technology
Faceplates	1" x 2 1/4" round corner standard
Strikes	Round corner strike 2 3/4" x 2 1/8"
Latch	Round corner adjustable 2 3/8" x 2 3/4"
Bolt	1/2" throw
Door Handing	Reversible
Batteries	4AA Required

Dimensions:



Design	A	B	C
SmartCode™ Lever Outer Trim		4 7/16"	2 1/2"
SmartCode™ Lever Inner Trim	3 1/4"	6 1/8"	3"

Finishes:

11P
Venetian Bronze

LO3
Polished Brass

15
Satin Nickel



Interior View



Kwikset

19701 DaVinci • Lake Forest, CA 92610
www.kwikset.com • 1-800-327-LOCK